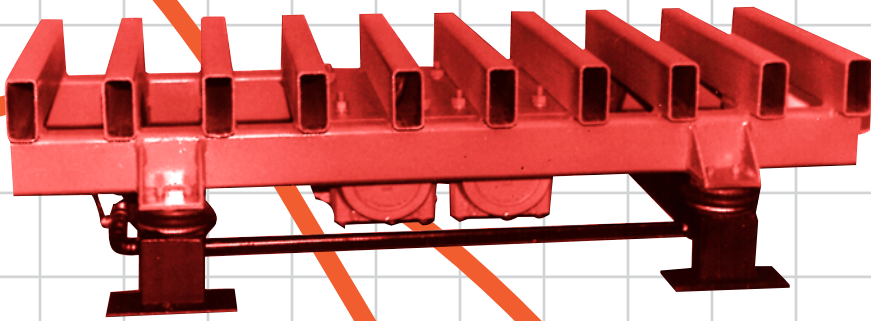
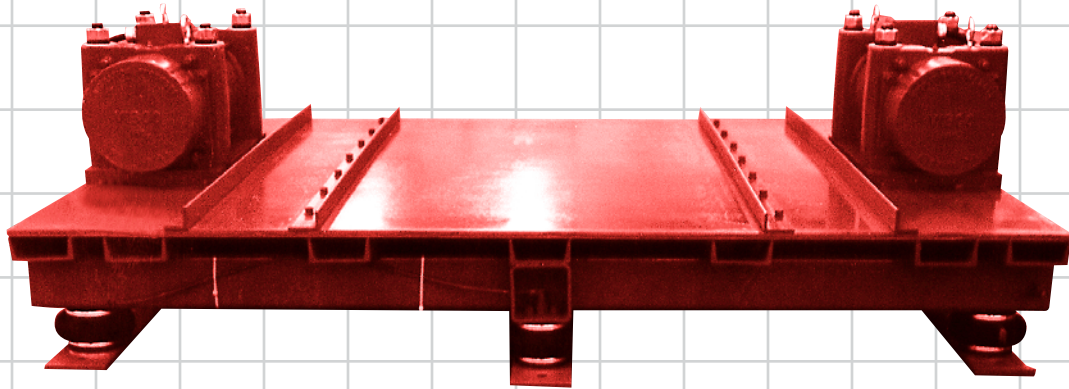


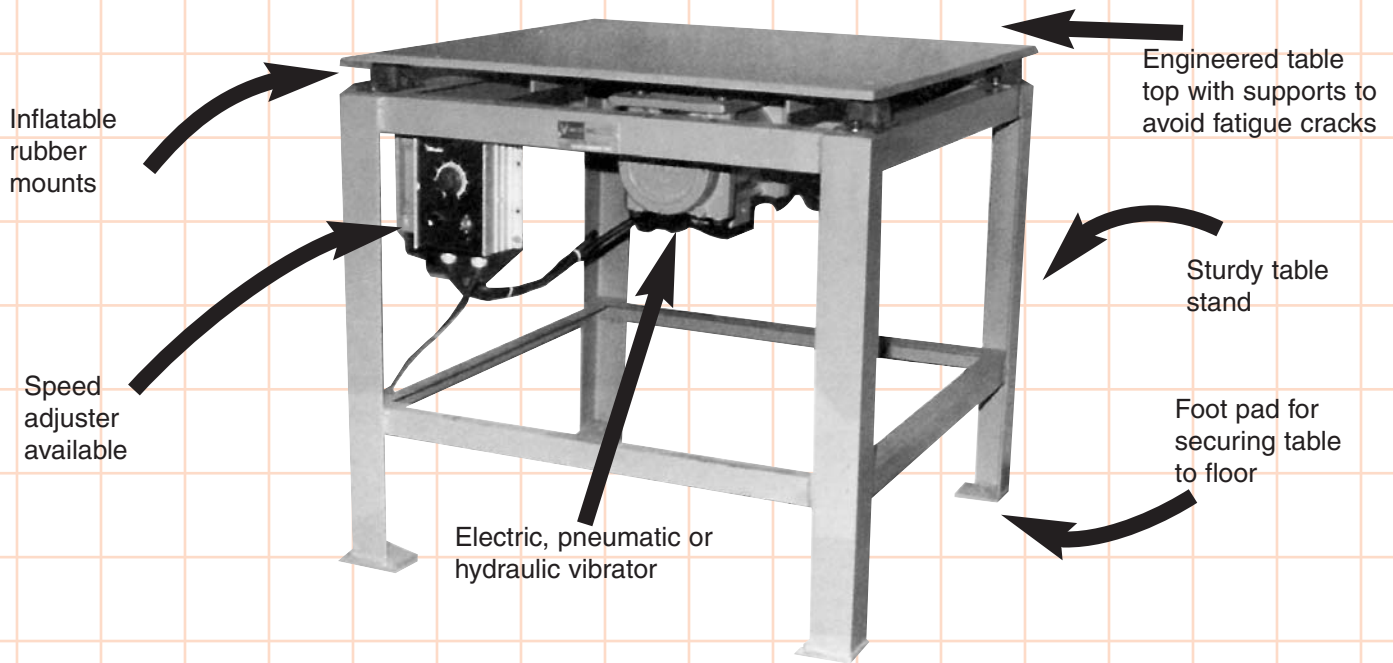
# VIBRATING TABLES



**VIBCO**

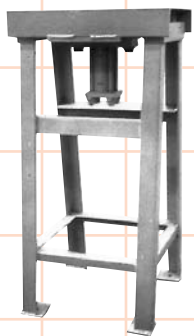
# FLAT TOP TABLES

## HEAVY DUTY



VIBCO's vibratory flat top tables offer a fast, efficient and economical method for compacting a wide variety of materials – powdery, granular or flaky – in boxes, drums or cartons. They are versatile and widely used for industrial applications to package, shock and fatigue test and for densifying refractory blocks, concrete products. They can also be used as shakeouts for some foundry flasks. Let VIBCO quote you on your next table.

## A DESIGN TO MEET EVERY NEED:



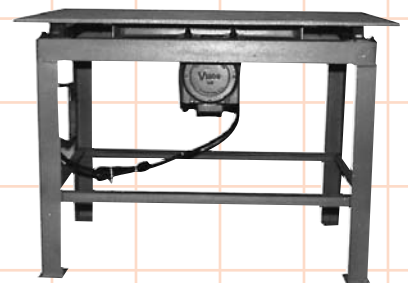
Fertilizer bag packer



Low profile vegetable packer



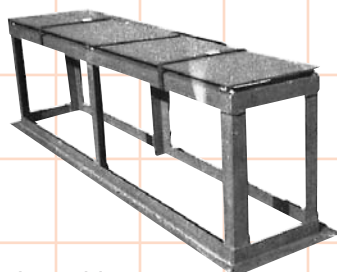
Packing table with dual vibrators



Packing table with electric vibrator



Small parts sorting table



8" dual table for marble sink tops

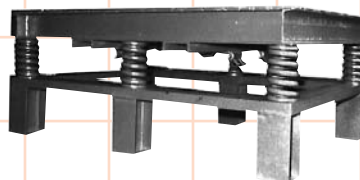


Table for 5 ton concrete form

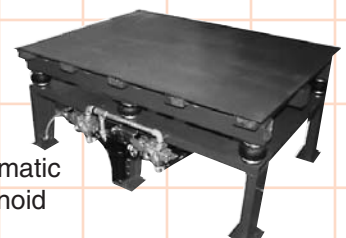


Table with pneumatic vibrators & solenoid controls

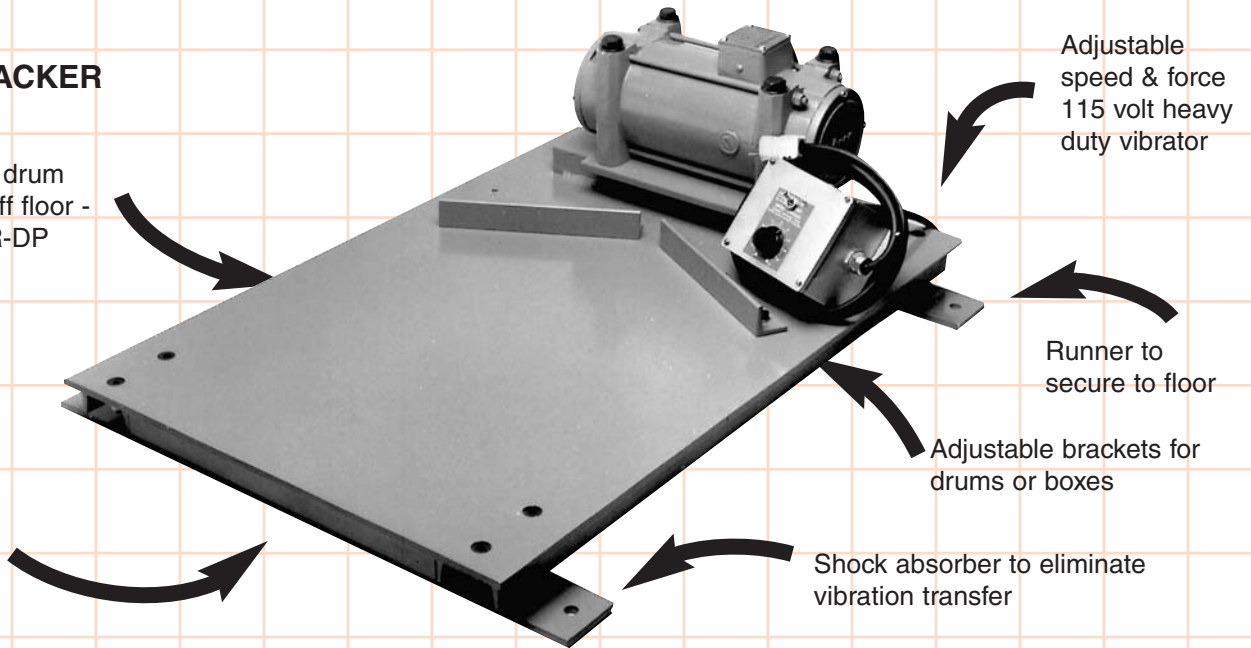
# PLATFORM TABLES

## LOW PROFILE

### DRUM PACKER

Low profile drum packer 3" off floor - Model SCR-DP

Heavy steel top for long wear



Adjustable speed & force 115 volt heavy duty vibrator

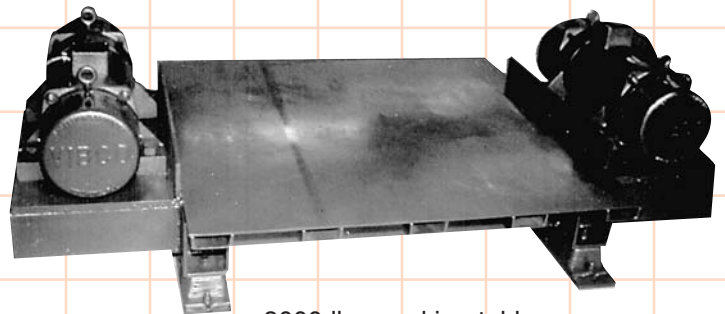
Runner to secure to floor

Adjustable brackets for drums or boxes

Shock absorber to eliminate vibration transfer

VIBCO's Vibrating Drum Packer is a popular unit for densifying a wide range of material from spices to nails in drums or cartons. The V-shaped guide holds the drum in place and prevents it from vibrating off the platform. The SCR-DP table is 24" wide x 36" long and stands 3" off the floor. It can easily be slipped under a filling station. The table is equipped with a 115 volt 1/2 HP 6.5 amp adjustable force and speed vibrator. The vibrator can be adjusted between 0-1400 lbs. of force and 0-4000 VPM (vibrations per minute). Table capacity is up to 600 lbs. Shock absorbers provide total isolation between floor and table. See below for different styles.

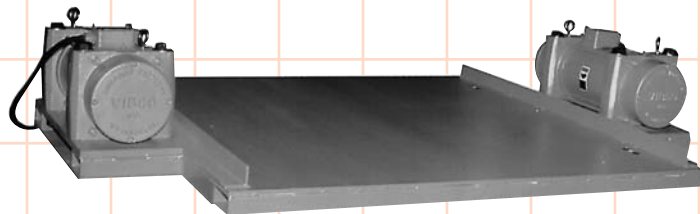
The low profile tables with two vibrators can be made to handle up to 10,000 lbs. of material. They stand 6" off the floor. See below for different styles.



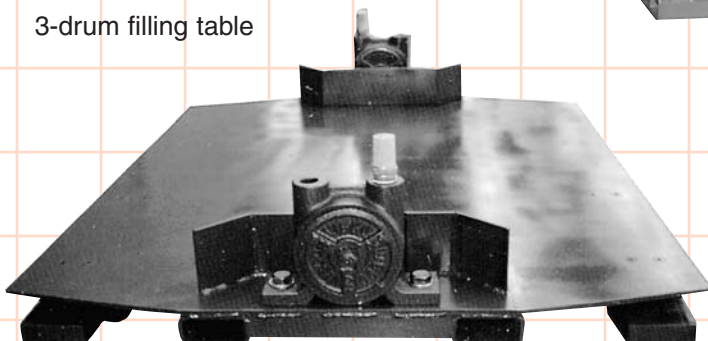
8000 lbs. packing table



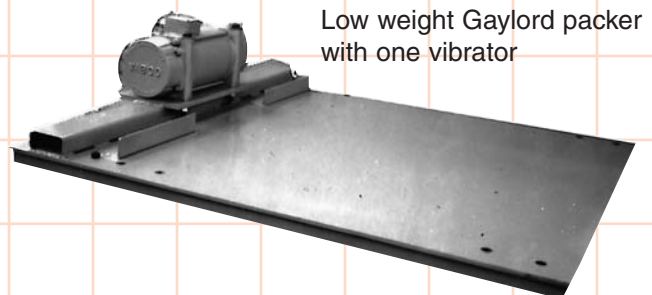
3-drum filling table



Gaylord packing table with rails for wood skid



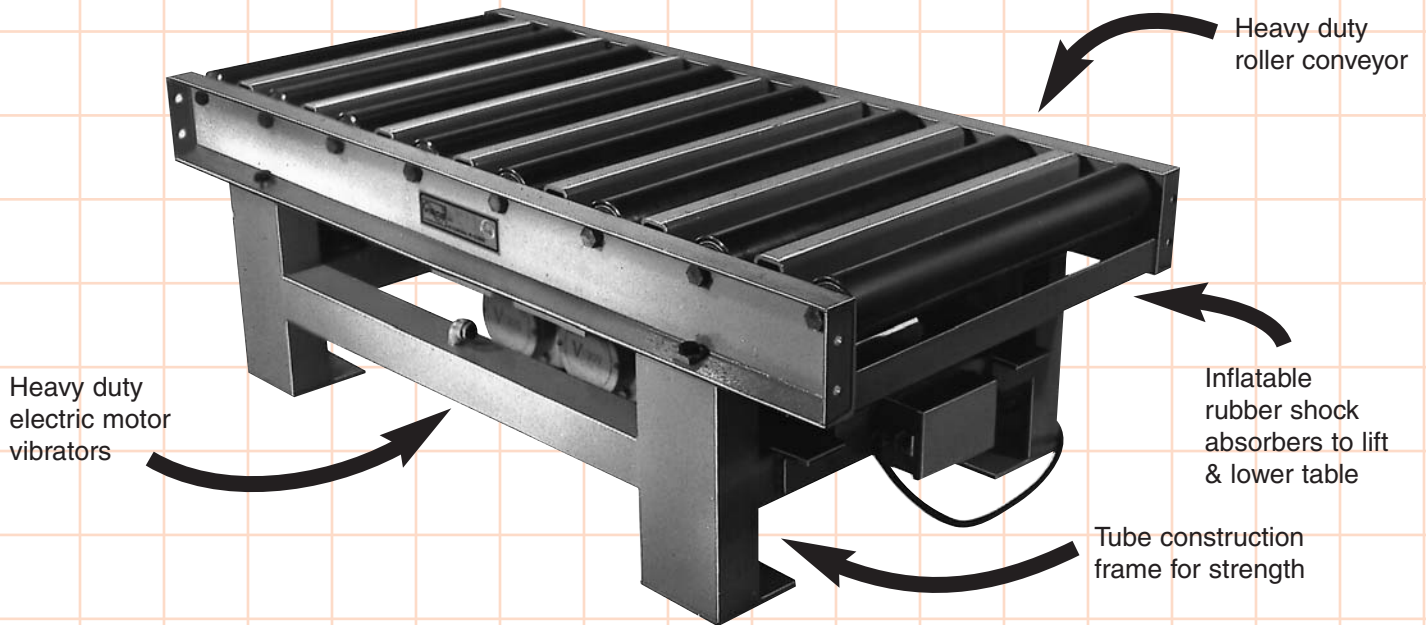
Drum packer, 24" x 32" x 3", powered by two quiet Model BVS-570 Air Turbine Vibrators, for use in an explosive dust atmosphere. Load capacity up to 1200 lbs.



Low weight Gaylord packer with one vibrator

# GRID TOP TABLES WITH ROLLER CONVEYOR

## VARIABLE SPEED and VARIABLE FORCE

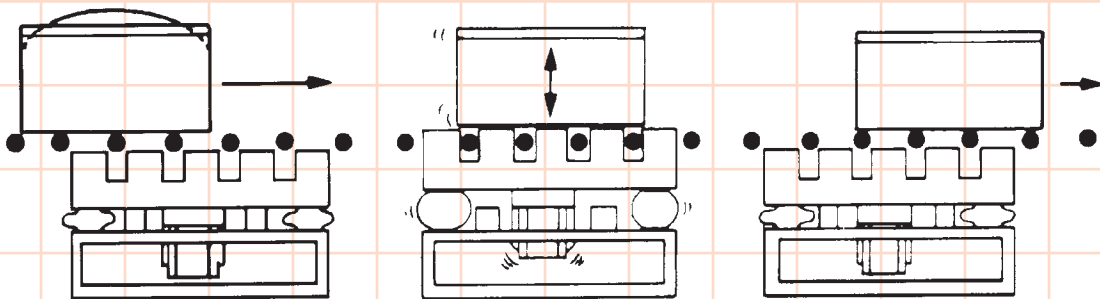


### VIBCO Compaction Table Features:

- Includes U.S. built VIBCO Heavy Duty Electric Motor Vibrators for vertical linear vibration.
- Standard vibrators offer adjustable force within a preset frequency. Variable force/speed control is an option
- Includes airspring isolators for lifting mold boxes off the roller conveyor during vibration cycle.
- Heavy duty roller conveyors take any load.

VIBCO has many years of experience in designing and building vibratory compaction tables for materials from oatmeal to concrete to sand, and even nuclear reactor waste. Each VIBCO vibratory compaction table is properly designed for its purpose and expertly built. It is easy to install and operate.

Let VIBCO quote you on your next vibrating table.

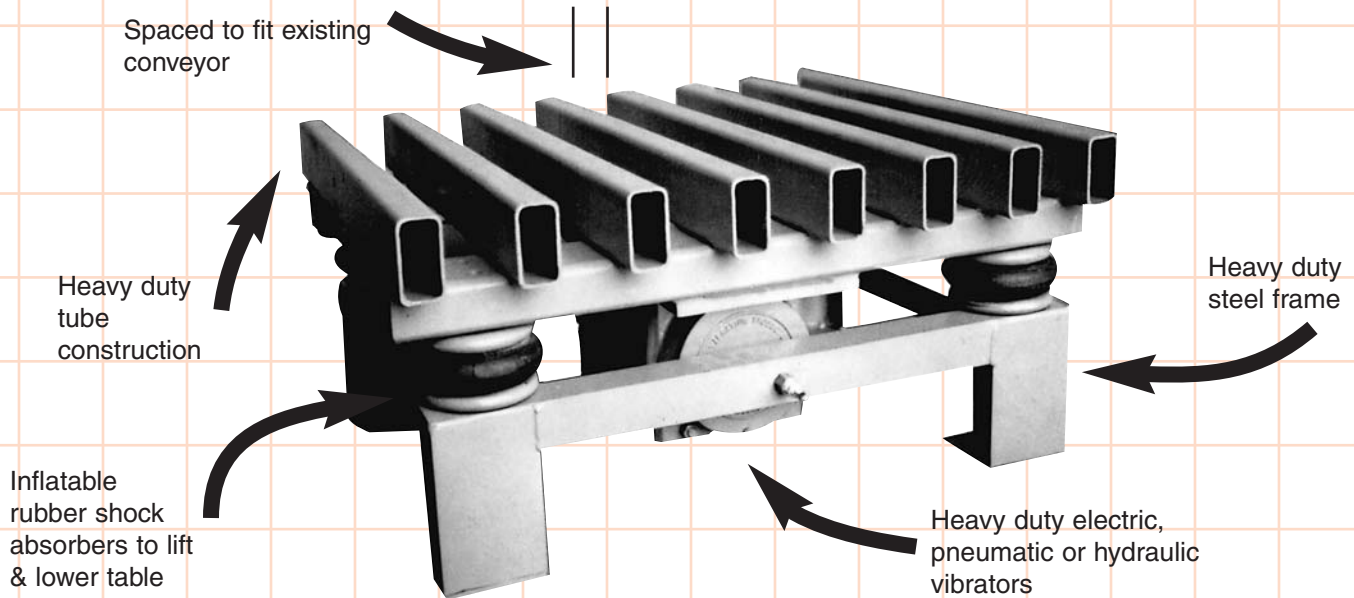


Vibco's Grid Top tables incorporate the latest design features. They are functional and sturdy. Installed at the filling station on an in-line conveyor system, the mold or container is rolled into position over the grid while in low position. As the grid is being raised, filling begins and the vibrator is started. After mold or container is filled and densified, airmounts are deflated, placing the load on the conveyor where it is rolled forward and the next one is moved into filling position.

Although these tables are of a standard shape and size, they can easily be adapted to fit your particular purpose with vibrators of different frequencies and force output to match any job.

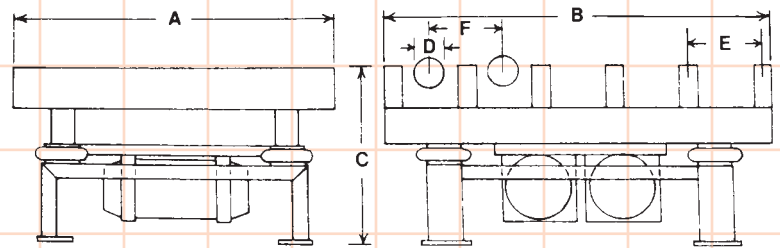
# GRID TOP TABLES

## TO FIT IN WITH EXISTING ROLLER CONVEYOR

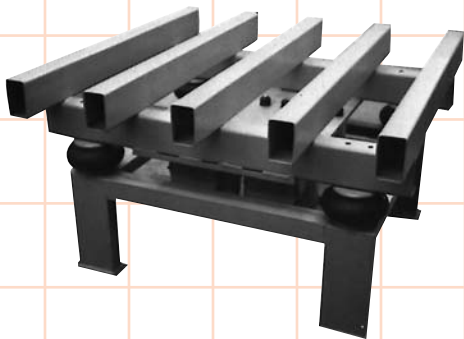


### VIBCO's GRID TOP TABLES are LIGHTER and STRONGER

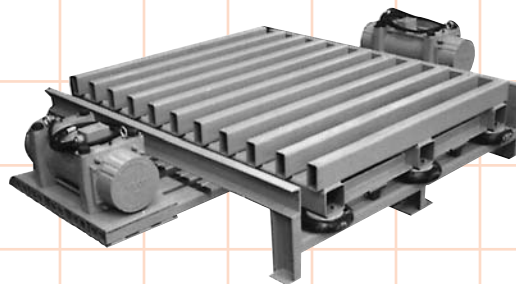
Used in conjunction with roller conveyors for: Compaction of NO-BAKE sand in foundry flasks, casting concrete products, settling granular, flaky or powdery materials in shipping containers etc. Sizes to fit your particular need will be quoted upon request. Give dimensions A to F.



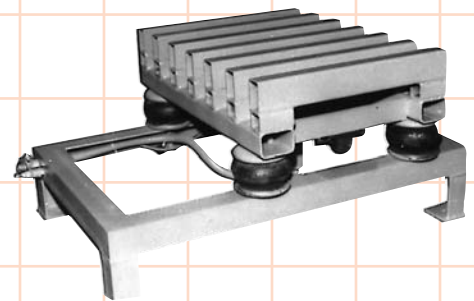
VIBCO's design utilizes high-strength tubular steel, which is 4x stronger and much lighter than the angle irons other tables are made from. The result is a more effective table. Less energy is absorbed by the dead weight of the grid top.



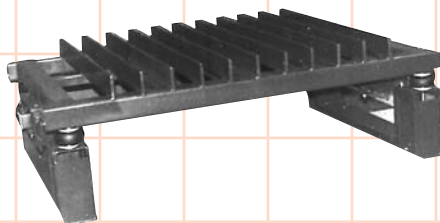
No-bake sand compaction in foundry



Grid table straddling scale



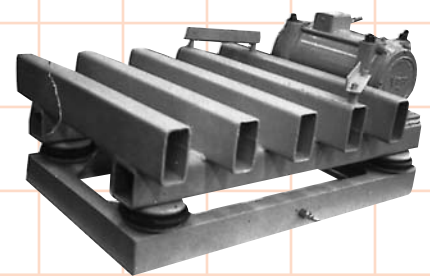
Extended table base for scale



Grid table straddling high floor scale



High grid for high lift

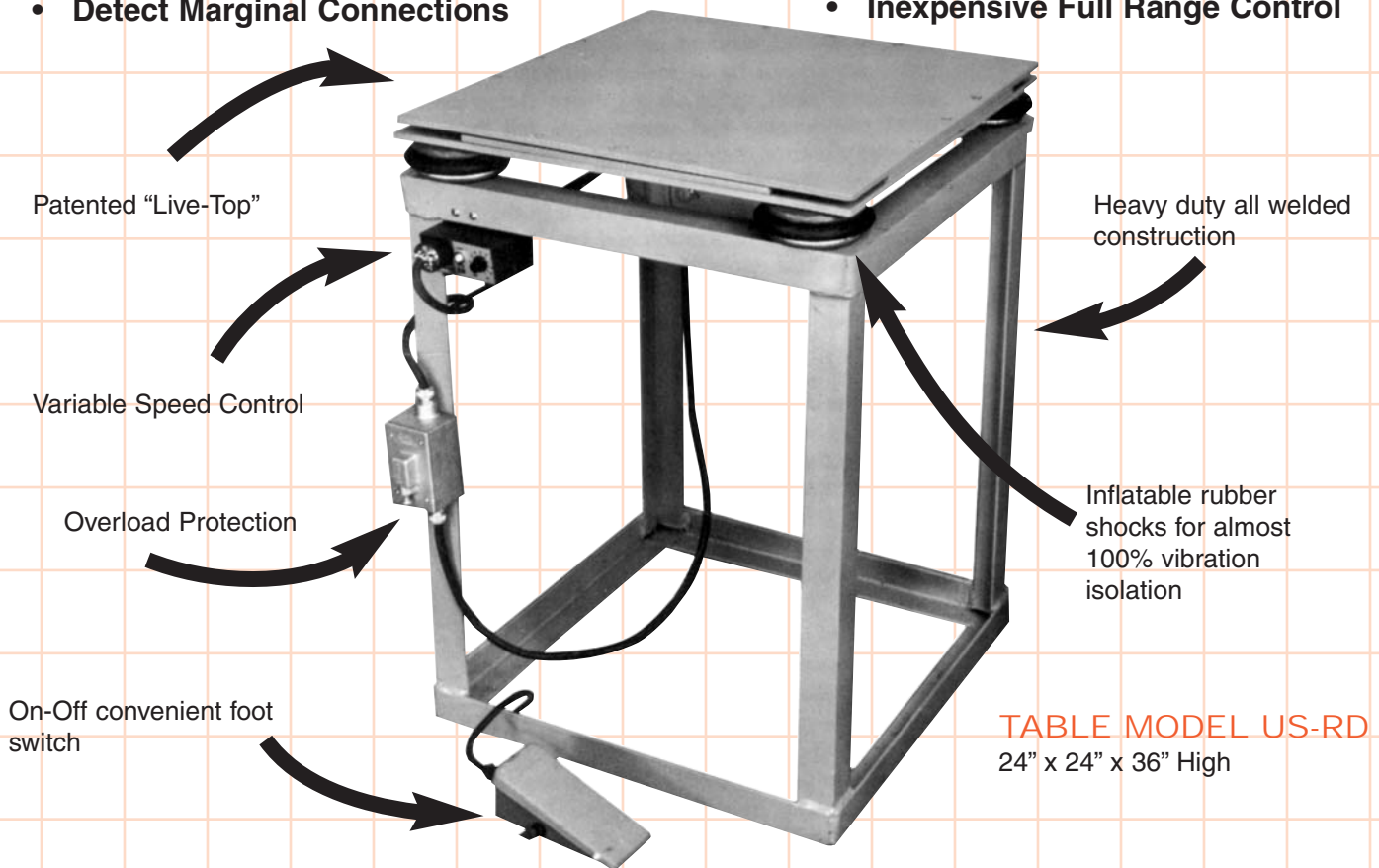


Drum packer in roller conveyor line 5

# VIBRATING TEST TABLES

- Simulate Handling & Transportation Shocks
- Verify Integrity of Electric Circuits
- Removes Dangerous Residue
- Detect Marginal Connections

- Stop Costly Field Service Calls
- Handles both Sub-Assemblies & Complete Chassis
- Safe! No Harm to Soud Circuits
- Inexpensive Full Range Control



VIBCO's test tables result in savings on manufacturing costs, increased product reliability and greater customer confidence by detecting future failures right in your own plant, prior to shipment. Defective electrical components and connections fail under the induced vibration, helping you to quickly identify the problems. This eliminates embarrassing and costly repair and difficult tracing of circuits in the field. The simulation of transportation and handling shocks, on the Vibco test table give the added advantage of showing up the defective solder joints, marginal connections and faulty components.

Forces generated will not, however, effect components of sound integrity./ the vibration also removes potentially harmful residue such as pigtail clippings, solder splashes and other debris lodged in the chassis. Vibco's test tables are also extensively used in fatigue testing of many, varied electronic and space industry products, including: radios, TVs, military hardware, lights, computers, etc.

Over 40 years of vibration know how enables us to "tailormake" a vibrating table to fit your needs as to size, force, frequency and amplitude. Consult our Engineering department.

## PATENTED "LIVE-TOP" TABLE

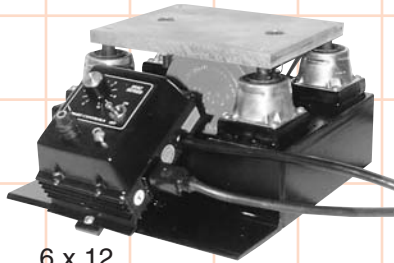
Exclusive Vibco design assures full and even vertical vibration in all areas of the table top. This enables the quality control station to utilize the full potential of the available working area. Quality control can now standardize test procedures now that consistency of testing and reliability of results is assured. Vibco's wide choice of variable frequency and constant frequency equipment gives you the ultimate in low cost product liability testing.

## SPECIFICATIONS

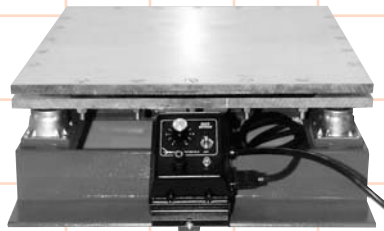
Model US-900, 10000 VPM (\*vibrations per minute - speed will vary with load) adjustable eccentrics with 3 force settings at 10000 VPM Setting 1, 600 lbs. of centrifugal force; Setting 2, 950 lbs.; and Setting 3, 1100 lbs., 3.5 amps; 115 volt will handle test pieces up to 125 lbs. Model US-1600, 9000 VPM\*, 3 force settings, 1100, 1600, 1900 lbs., 4 amps 115 volt will handle test pieces up to 200 lbs.

# FOR QUALITY ASSURANCE

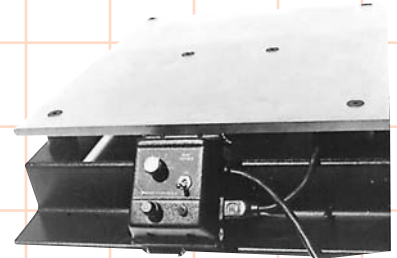
## TABLETOP MODELS (standard)



6 x 12



12 x 12



18 x 18

Standard US-TT Test Tables above are available with 6" x 12", 12" x 12", or 18" x 18" aluminum work surface. US-TT Tables are ideal for testing printed circuits, plug boards and other small items. The US-TT table is supplied with SPC FREQUENCY (speed) control and a 115 volt 10,000 VPM (vibrations per minute) motor vibrator producing up to 100 lbs. of force. These small tables can also be supplied with pneumatic vibrators, other electric vibrators or with special designs, see below.

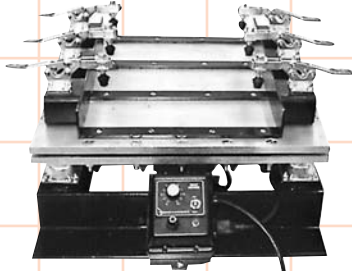
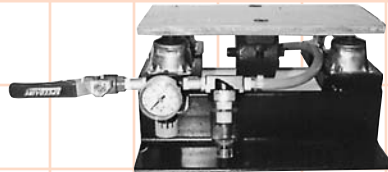


Table with hold-down clamps



Pneumatic test table

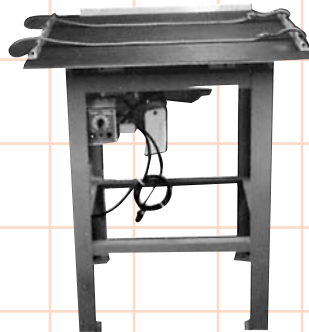


Table with outside rails

## VIBRATING TEST TABLES BUILT TO MEET YOUR NEEDS



Vibrating table used to test density and material weight for each load. Table also tested for weldment cracks and fatigues during a normal 24 hour test cycle.



US-SA table with straps to hold test module to table top.

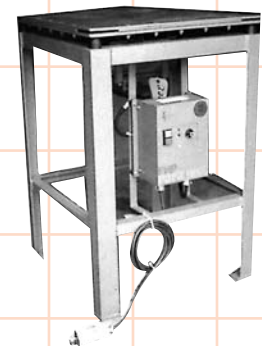
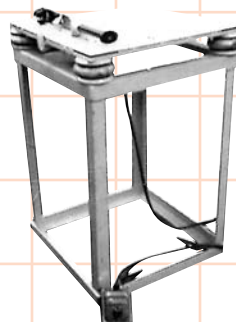


Table with special control circuits.



US-RD table testing electronic prosthesis.

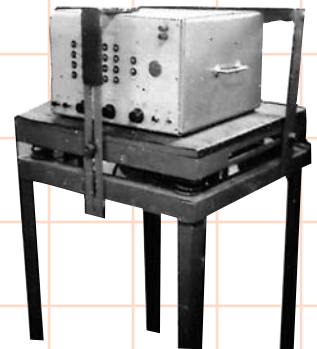
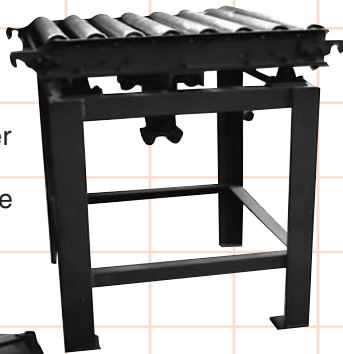


Table for reliability testing instrument packages.

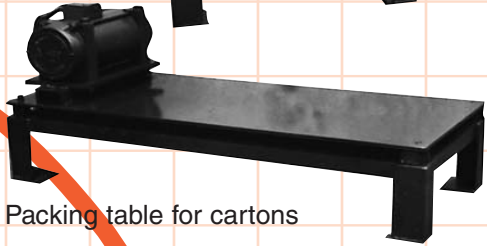
# SPECIAL PURPOSE TABLES

TABLES - ANY SHAPE FOR ANY PURPOSE

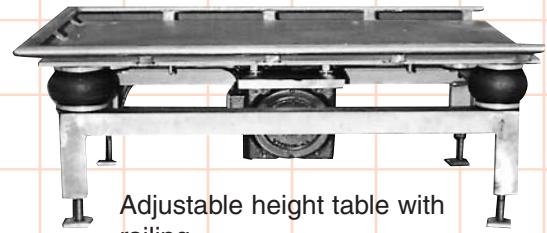
Vibrating roller conveyor in production line



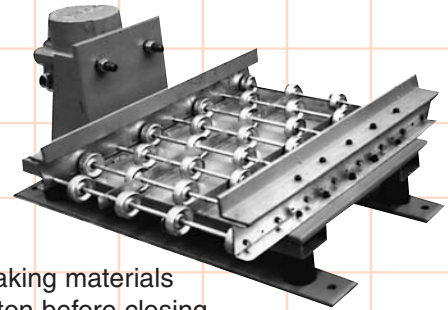
Packing table for cartons



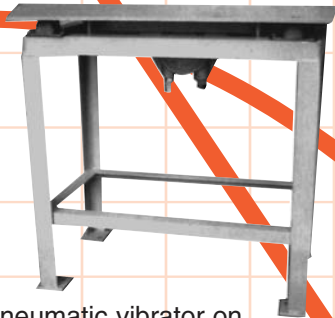
Adjustable height table with railing



Depeaking materials in carton before closing

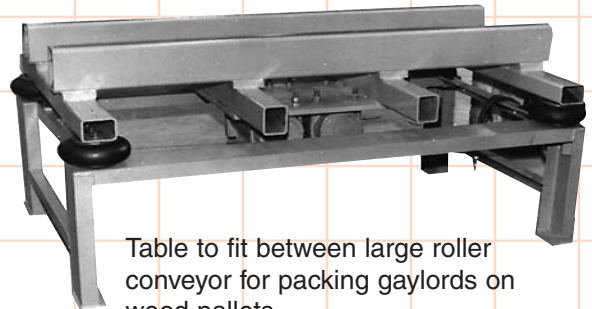


Pneumatic vibrator on sorting table

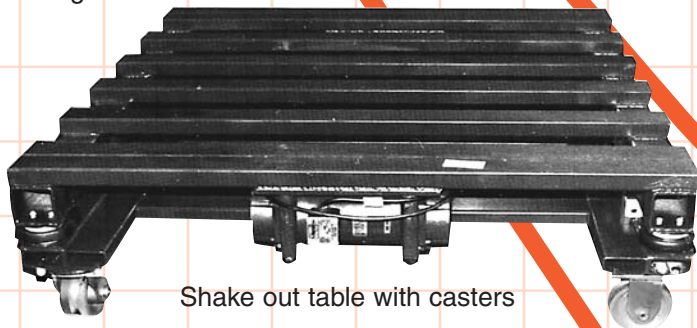


FT 18" x 18" x 44" table with a variable high frequency vibrator for the making of molds for precision castings used in orthopedic surgery, such as hip joints, etc. Height was determined by a stationary microscope under which the work was done.

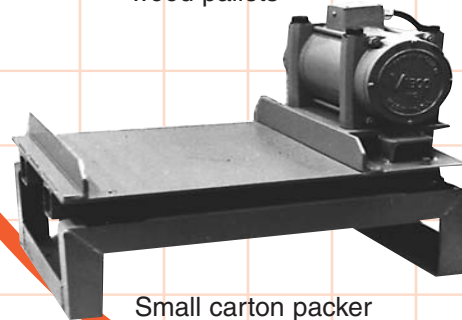
Table to fit between large roller conveyor for packing gaylords on wood pallets



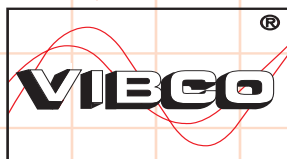
Shake out table with casters



Small carton packer



We're The **SILENT** Vibrator Guys.® **VIBCO, INC.**



7902D VIBCO, INC.